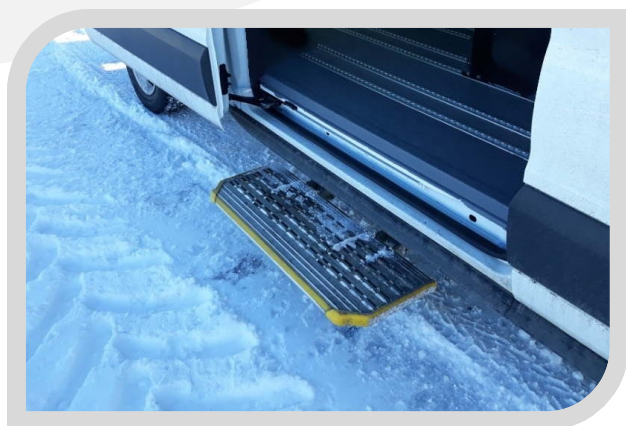




Simplicity in Accessibility

## VERSA SL Swing Line

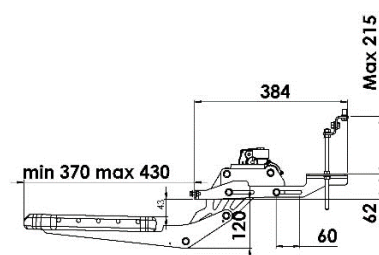
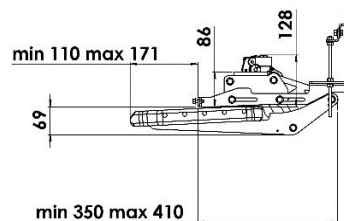
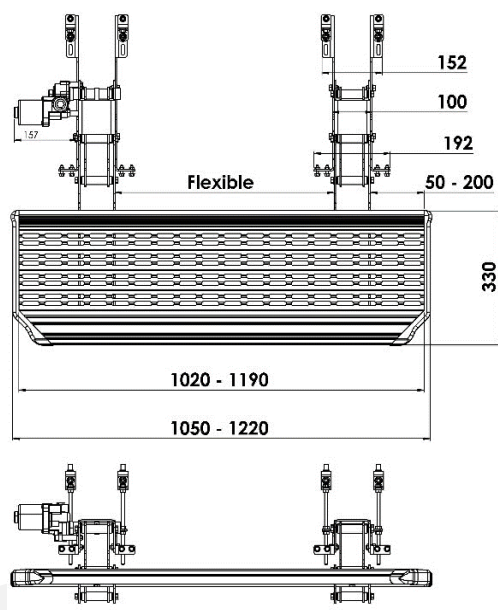
The **VERSA SL** a Heavy duty lightweight swing out step, made for the higher end of the market. Specially designed to work under difficult conditions like snow ice and dirt. Dimensions fit best in the higher type of vans with floor heights of 500-700 mm. Built and designed with more than a decade of experience.



The **VERSA SL** is made from a combination of steel and aluminium, and weighs between 16Kg to 18 Kg the **VERSA SL** is mounted below the middle sliding door. With a deployment time of 1.5 seconds, the **VERSA SL** step will keep up with fast paced activities and regular use. The tested life cycle of the step is 250,000 cycles. This ensures the durability and reliability we know you need. A high temperature zinc corrosion protector is also used to increase the durability.

### Specifications:

- Step depth: 310mm
- Step width: 1000mm or 1200mm
- Weight: 16-18Kg
- Load 250 Kg
- Frame: steel plate work.
- Step: aluminium punched profile
- Electrical system: IP65
- Legislation: fulfils R107 UN and 98/37 EC
- Machine directive.
- Safety Function: return at obstacle by ECU control
- ECU with Sleep function



## VERSA SL

Acdeos.com / info@acdeos.com / +31 71 5891819

